



DEZIGNWORKS

THE STANDARD IN REVERSE ENGINEERING



Certified Gold Product

DezignWorks, the standard in reverse engineering for SolidWorks,

Feature-based reverse engineering, integrated inside SolidWorks. DezignWorks automatically creates 2D and 3D features, incorporating its own cut and extrude command, Simply digitize the shape or your part and select the designated height or depth and a cut or extrude is completed. Complex 3D shapes are DezignWorks forte, a single or multiple plane can be selected and simply move the digitizer back and forth across the planes or faces and DezignWorks will capture the continuous movement of the device and allows for interactive editing of complex curves. Data can be added or subtracted during or after the operation with the DezignWorks **Patent Pending Database Manager**. DezignWorks insures that all geometric elements are parametric, fully editable, and conforming to the feature-based intelligence of SolidWorks.

Real time Reverse Engineering can be achieved on multiple parts and assemblies. All alignments and probe calibrations are stored with the part or the assembly. DezignWorks enhances the capabilities of SolidWorks with the addition of curve editing and measurement tools. Inspecting capabilities are obtained by using our simplified measurement tools.

DezignWorks is fully integrated inside SolidWorks

Allowing interactive editing and creation of sketch entities (lines, arcs, curves, splines, points and planes). The digitizer's coordinate system is displayed for single and multiple alignments. Along with interactive display of the digitizers coordinate position and graphical probe tracking in single or multiple views. The probe graphics can be modified to suite the users needs.

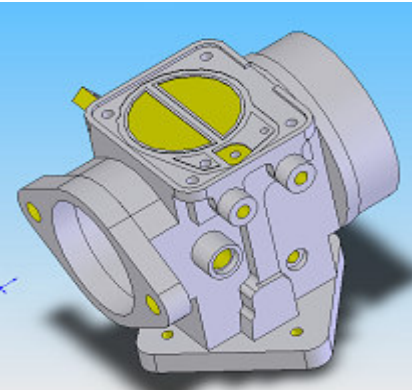
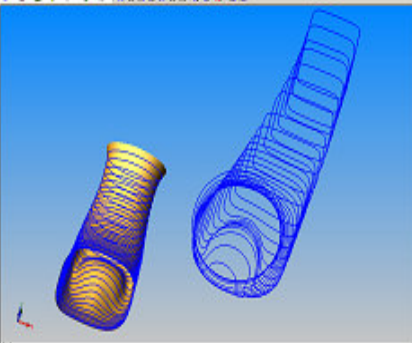
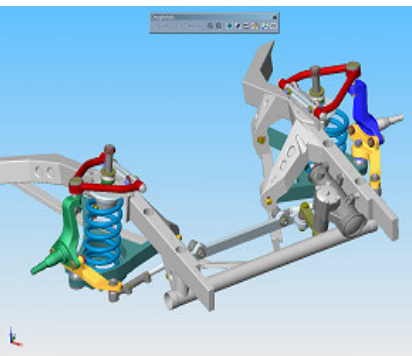
Because of its seamless integration within the SolidWorks environment, DezignWorks is readily adaptable. Following the configurations of any new or pre-existing Part or Assembly documents, including configurations. Current SolidWorks users are productive with DezignWorks after minimal training, due to the depth of integration and the native look and feel of DezignWorks menus and toolbar.



Connect SolidWorks to the World by utilizing our device configuration manager you can configure the digitizer the way you like it, even as your mouse to improve your productivity and ease of use. Our Datum Manager wizard allows for quick and easy multiple alignments and monitors the calibration stack tolerance when a user has created multiple alignments.

Proven Compatibility with most common 3D articulating digitizing devices, Such as Romer, MicroScribe, and Faro.

Get on the fast track to reverse engineering and solid modeling with the standard in reverse engineering software **DezignWorks**. The Future is Now! Visit our website at www.DezignWorks.net.



B3-D Mcad Consulting/Sales LLC / 32545B Golden Lantern#190
Dana Point, CA 92629 / 949-233-3865 / 949-606-8570 (Fax)

www.b3-d.com